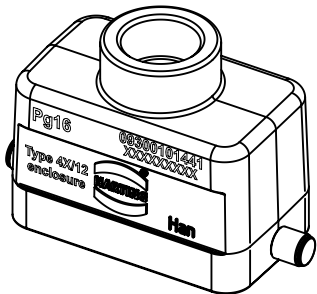
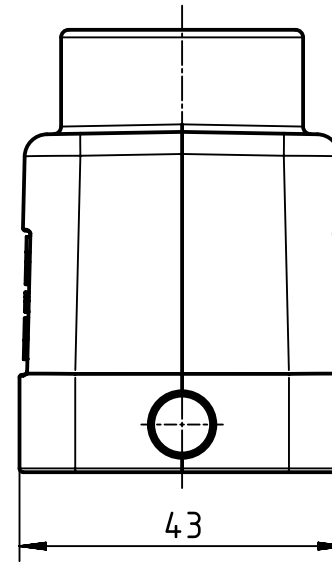
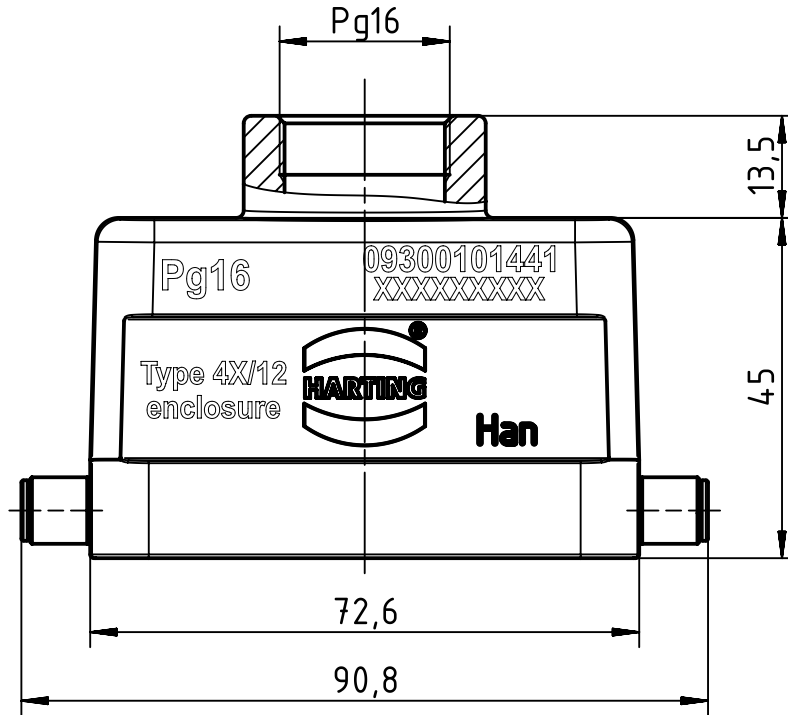


A

B

C

D



	All Dimensions in mm Original Size DIN A4		Scale 1:1	Free size tol.		Ref.		
						Sub.		
	All rights reserved		Created by HELLMANN	Inspected by GERB	Standardisation RUETERA	Date 2019-12-02	State Final Release	
	Department EL PD		Title Han B Hood Top Entry LC 2 Reels PG 16				Doc-Key / ECM-Nr. 1001922226/UGD/004/D 500000161508	
HARTING Electric GmbH & Co. KG D-32339 Espelkamp			Type TB	Number 09 30 010 1441			Rev. D	Page 1/1