

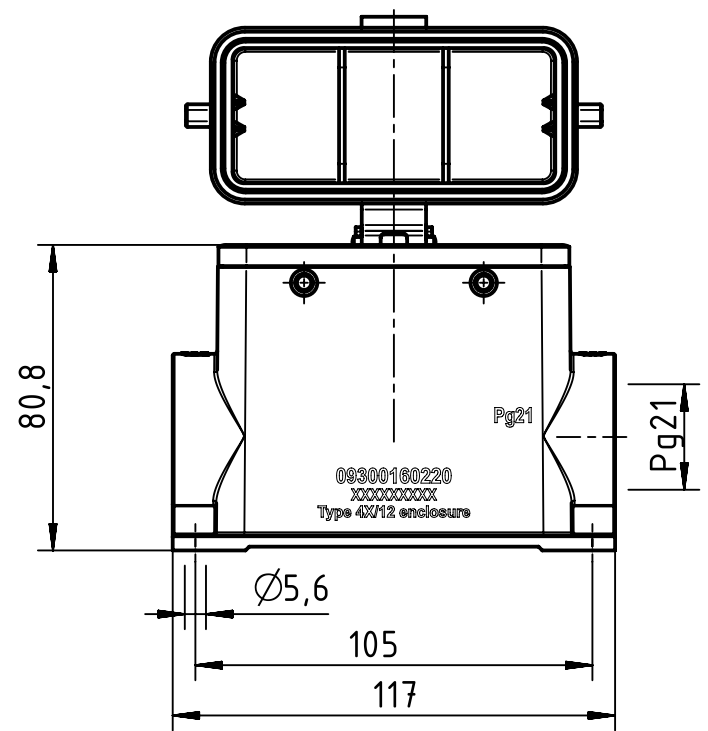
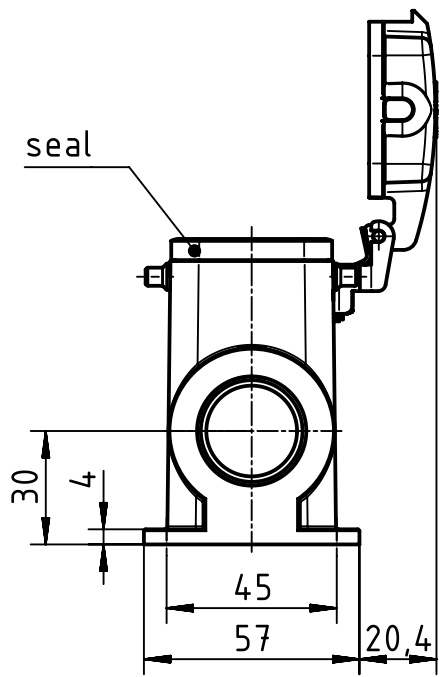
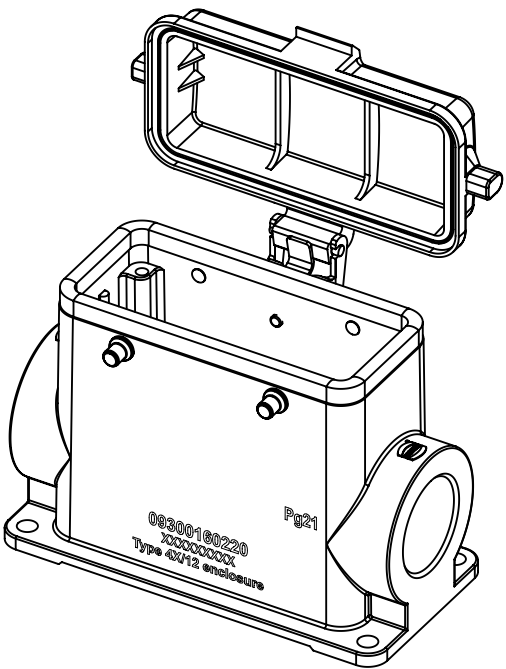
1 2 3 4 5 6

A

B

C

D



	All Dimensions in mm Original Size DIN A4	Scale 1:2		Free size tol.		Ref.	
		Created by SPRENB		Inspected by GERB		Standardisation GARSKE	
	All rights reserved Department EL PD	Title Han 16B-asg1-K-21				Doc-Key / ECM-Nr. 100208446/UGD/004/C 500000162090	
		HARTING Electric GmbH & Co. KG D-32339 Espelkamp		Type TB	Number 09 30 016 0220		Rev. C