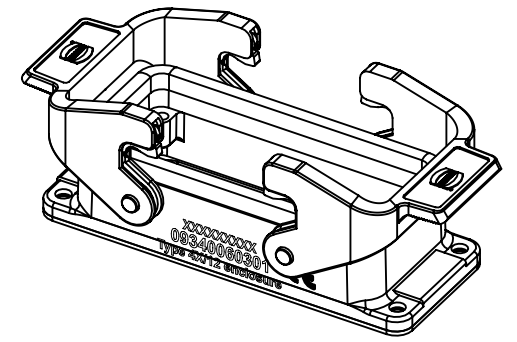
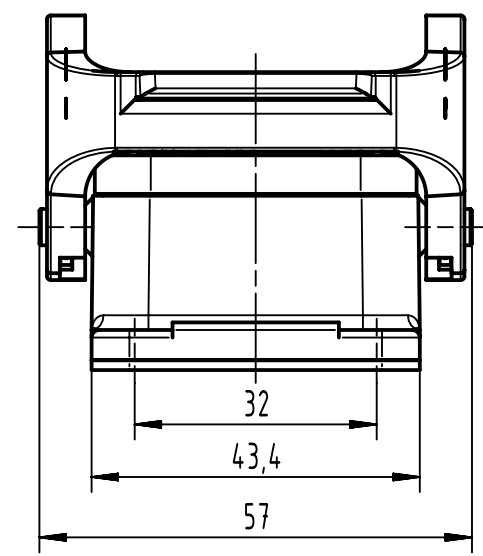
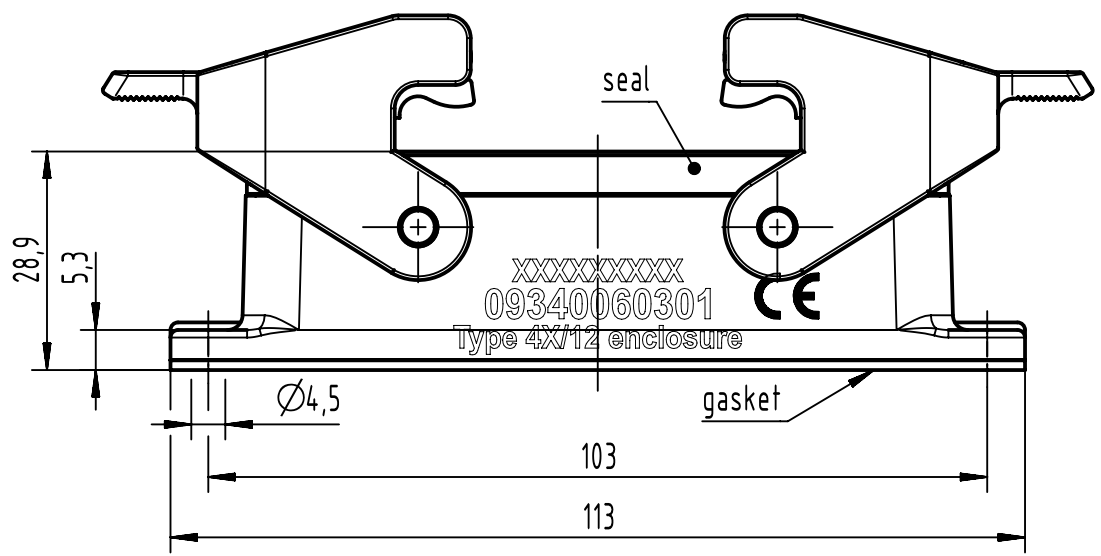


A

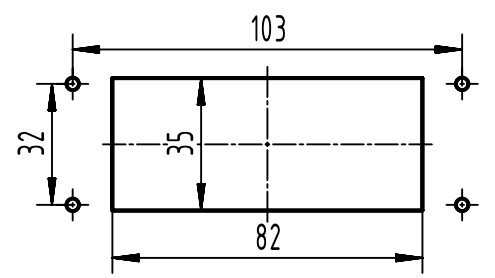
B

C

D



panel cut out
(1:2)



	All Dimensions in mm Original Size DIN A4		Scale 1:1	Free size tol.		Ref.
	All rights reserved Department EL PD		Created by HELLMANN	Inspected by GERB	Standardisation 302077	Sub.
HARTING Electric GmbH & Co. KG D-32339 Espelkamp		Title Han 6HvE-HBM-double lever			Date 2020-11-20	State Final Release
					Doc-Key / ECM-Nr. 100196957/UGD/004/C 500000183762	Rev. C
Type TB				Number 09 34 006 0301		Page 1/1