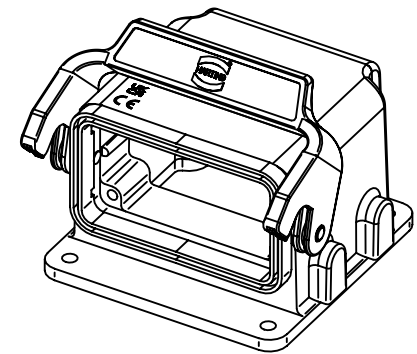
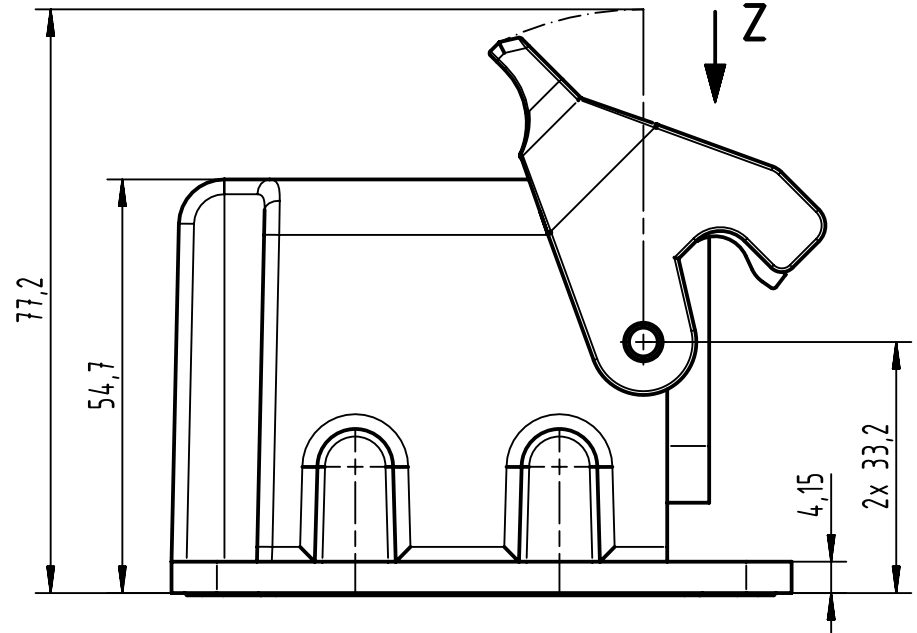
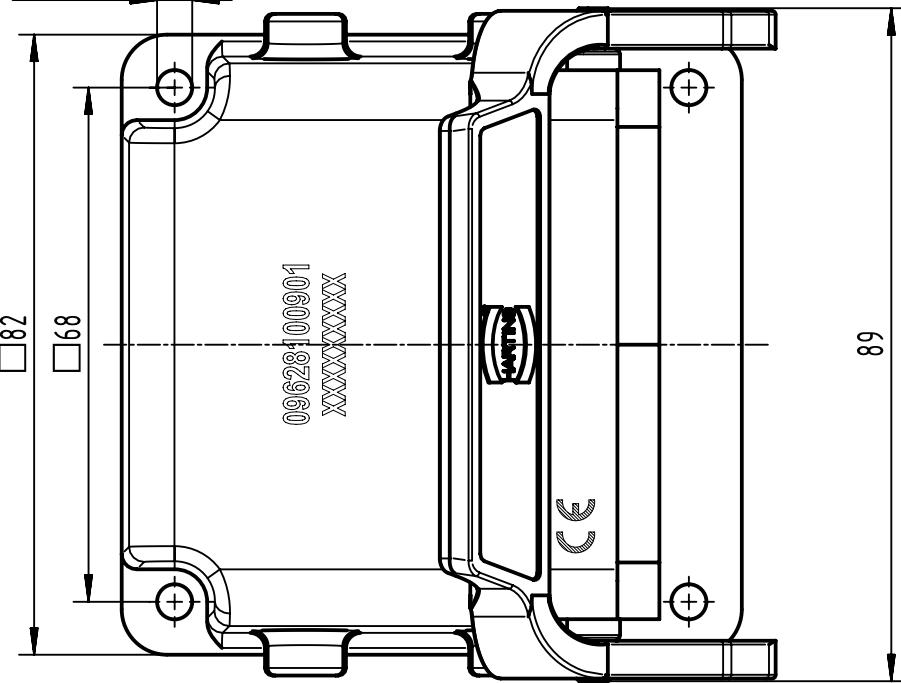
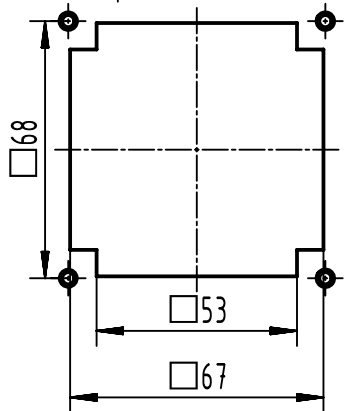


4x Ø4,65


Z(1:1)



panel cut out (1:2)



housing without coating

	All rights reserved Department EL PD	All Dimensions in mm Original Size DIN A4		Scale 1:1	Free size tol.	Ref. Sub.
		Created by HELLMANN	Inspected by GERB	Standardisation	Date 2021-09-23	State Final Release
HARTING D-32339 Espelkamp		Title Han 10EMC/B-HBMA-SL-68			Doc-Key / ECM-Nr. 100090360/UGD/005/D 500000202454	
		Type TB	Number 09 62 810 0901		Rev. D	Page 1/1