

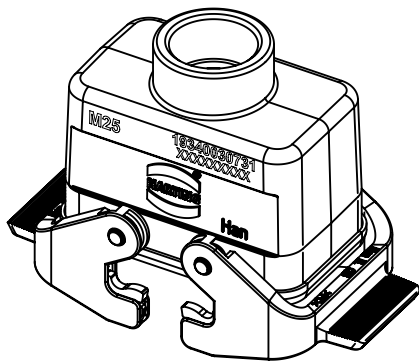
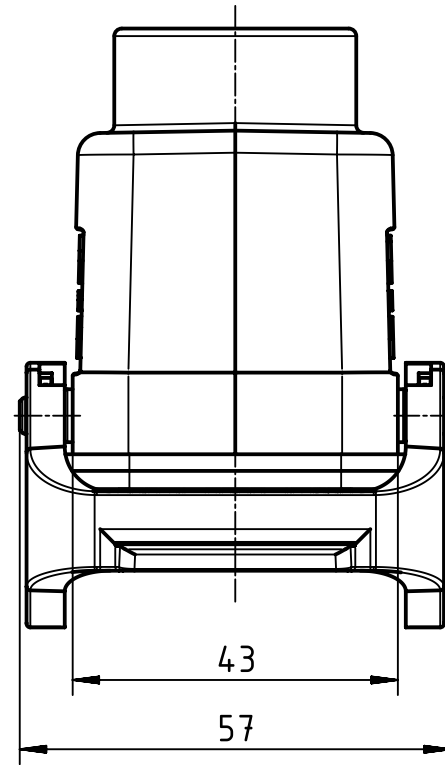
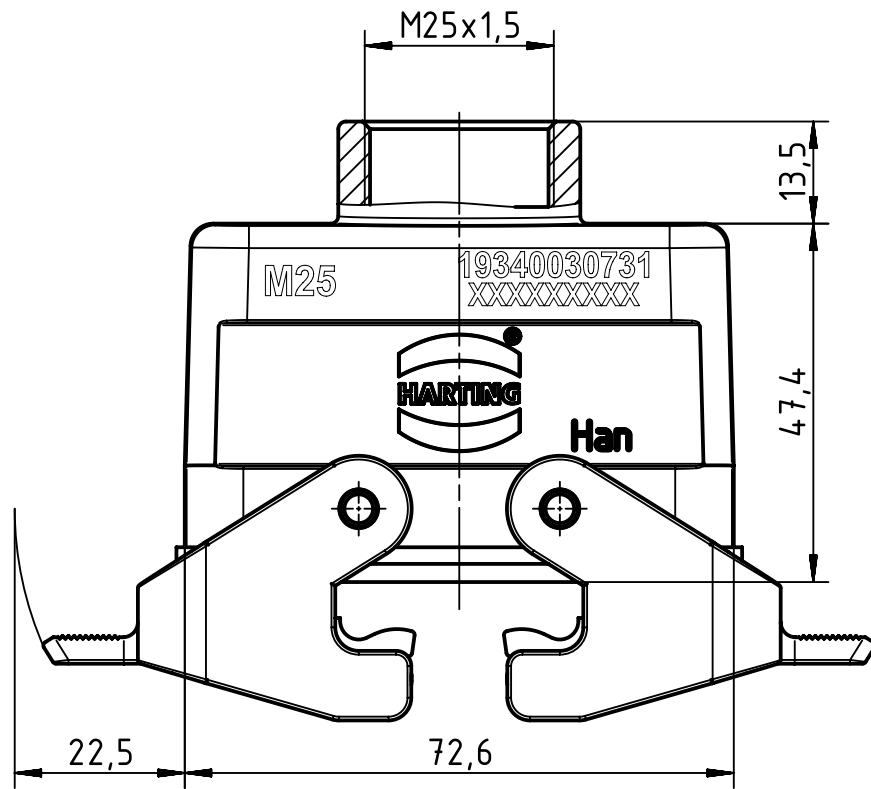
1 2 3 4 5 6

A

B

C

D



	All Dimensions in mm Original Size DIN A4		Scale 1:1	Free size tol.		Ref.
						Sub.
	All rights reserved		Created by HELLMANN	Inspected by GERB	Standardisation RUETERA	Date 2019-12-02
	Department EL PD					State Final Release
HARTING Electric GmbH & Co. KG D-32339 Espelkamp			Title Han 3HvE-kg-QB-M25			Doc-Key / ECM-Nr. 100192196/UGD/004/D 500000161508
			Type TB	Number 19 34 003 0731		Rev. D Page 1/1