

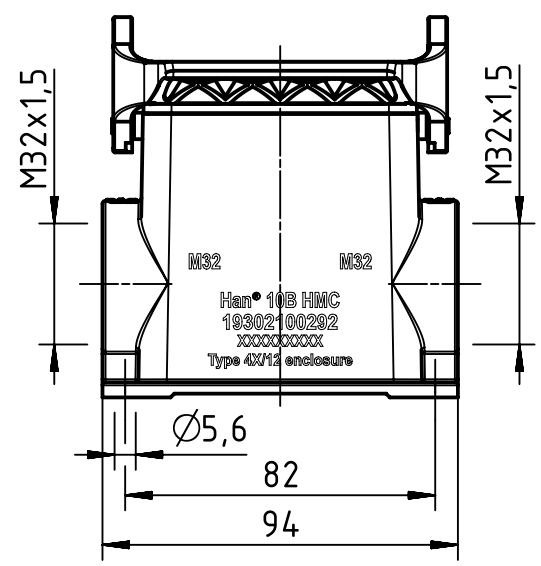
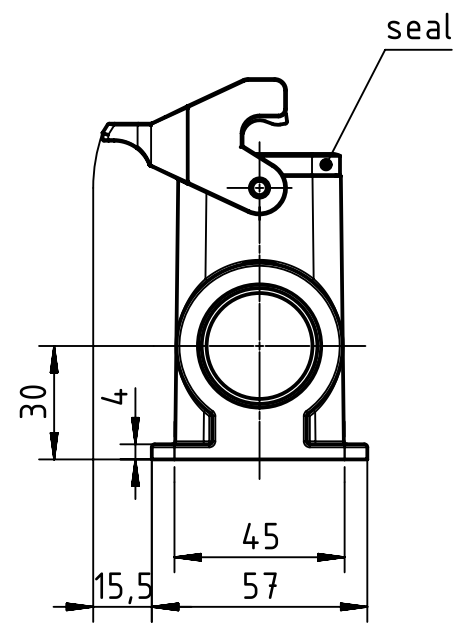
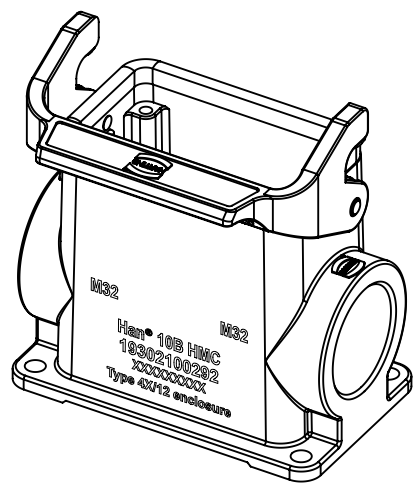
1 2 3 4 5 6

A

B

C

D



	All Dimensions in mm Original Size DIN A4		Scale 1:2	Free size tol.		Ref.		
						Sub.		
	All rights reserved		Created by SPRENB	Inspected by SUNDERMEIER	Standardisation RUETERA	Date 2020-02-26	State Final Release	
	Department EL PD		Title Han 10B-HMC-asg2-LB-M32				Doc-Key / ECM-Nr. 100522502/UGD/002/D 500000166132	
HARTING Electric GmbH & Co. KG D-32339 Espelkamp			Type TB	Number 19 30 210 0292			Rev. D	Page 1/1