

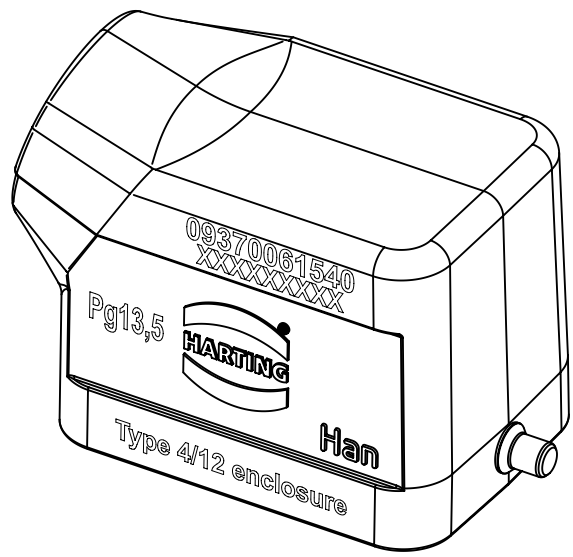
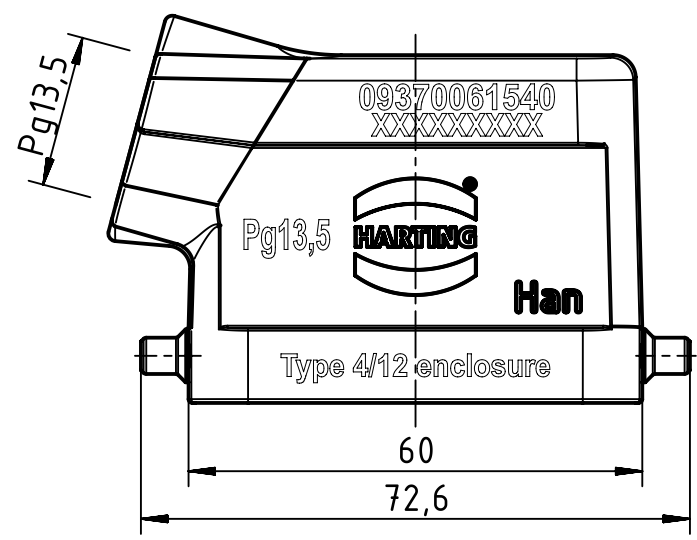
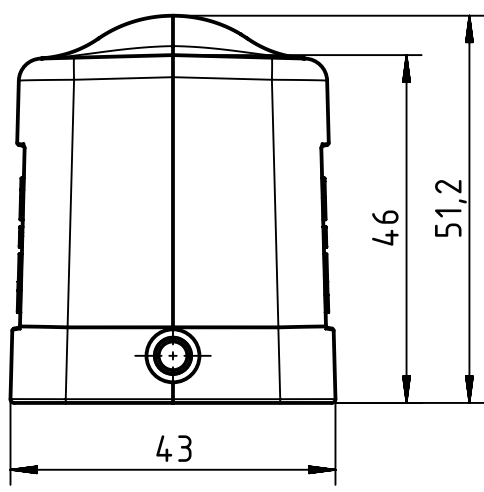
1 2 3 4 5 6


A

B

C

D



	All rights reserved Department EL PD	All Dimensions in mm Original Size DIN A4		Scale 1:1	Free size tol.	Ref. Sub.	
		Created by SPRENB	Inspected by GERB	Standardisation GARSKE	Date 2019-12-06	State Final Release	
HARTING Electric GmbH & Co. KG D-32339 Espelkamp		Title Han M Hood Side Entry LC 2 Pegs PG 13.5				Doc-Key / ECM-Nr. 100178826/UGD/004/E 500000161963	
		Type TB	Number 09 37 006 1540			Rev. E	Page 1/1