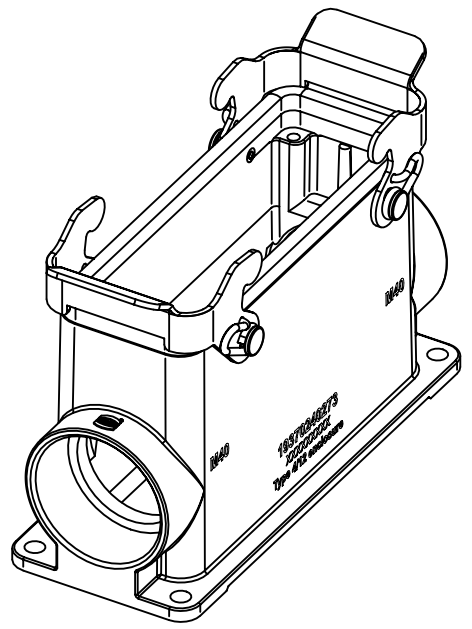
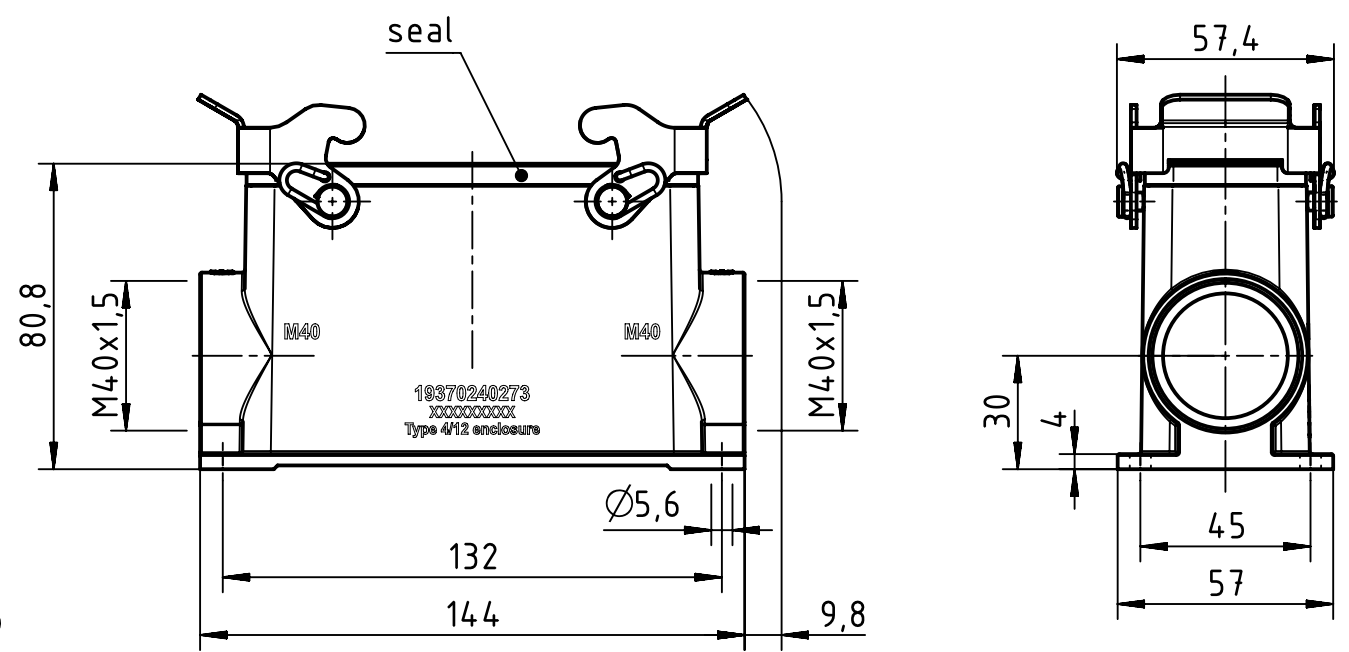


A

B

C

D



	All Dimensions in mm Original Size DIN A4		Scale 1:2	Free size tol.		Ref.		
						Sub.		
	All rights reserved		Created by FINKEV	Inspected by GERB	Standardisation GARSKE	Date 2020-03-16	State Final Release	
	Department EL PD		Title Han 24M-asp2-QB-M40				Doc-Key / ECM-Nr. 100205802/UGD/004/B 500000166180	
HARTING Electric GmbH & Co. KG D-32339 Espelkamp			Type TB	Number 19 37 024 0273			Rev. B	Page 1/1