

1 2 3 4 5 6

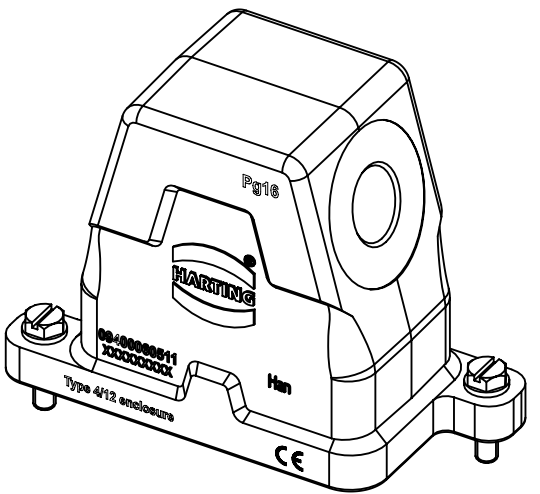
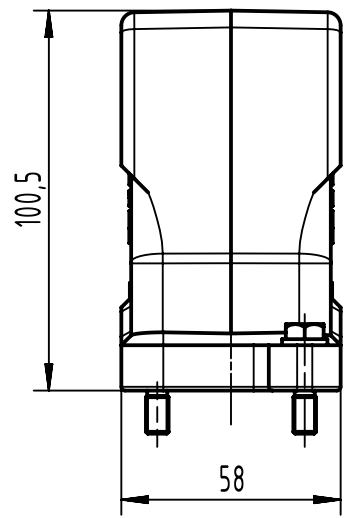
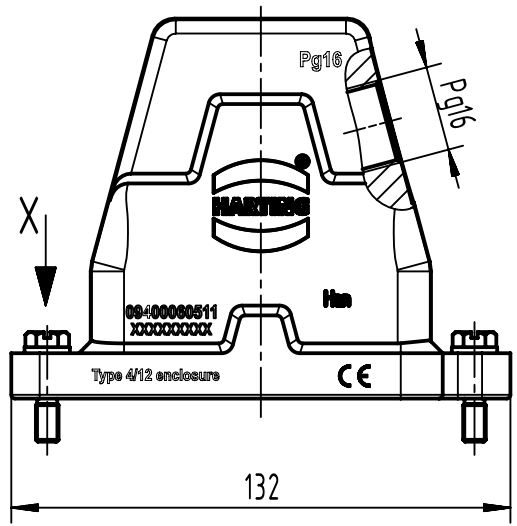
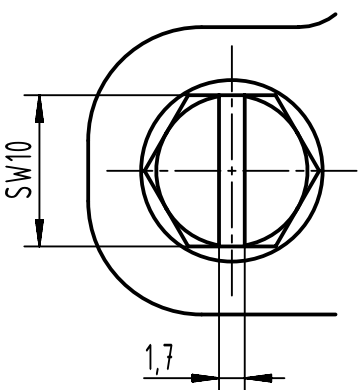
A

B

C

D

X (2:1)



	All Dimensions in mm Original Size DIN A4	Scale	Free size tol.		Ref.	
		1:2			Sub.	
	All rights reserved Department EL PD	Created by	Inspected by	Standardisation	Date	State
		SPRENB	GERB		2021-09-10	Final Release
HARTING D-32339 Espelkamp		Title			Doc-Key / ECM-Nr.	
		Han 6HPR HSE-Pg16-Screw lock			100208596/UGD/004/D 500000201415	
		Type	Number	Rev.	Page	
		TB	09 40 006 0511	D	1/1	