

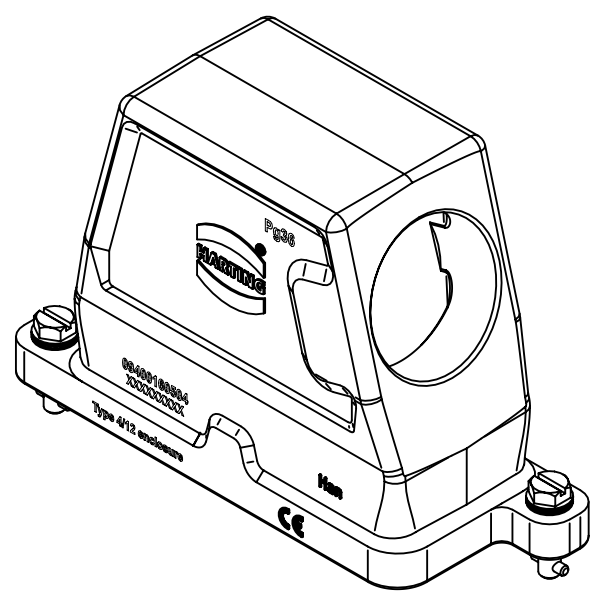
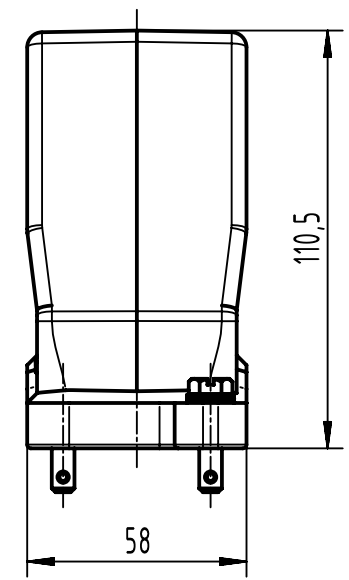
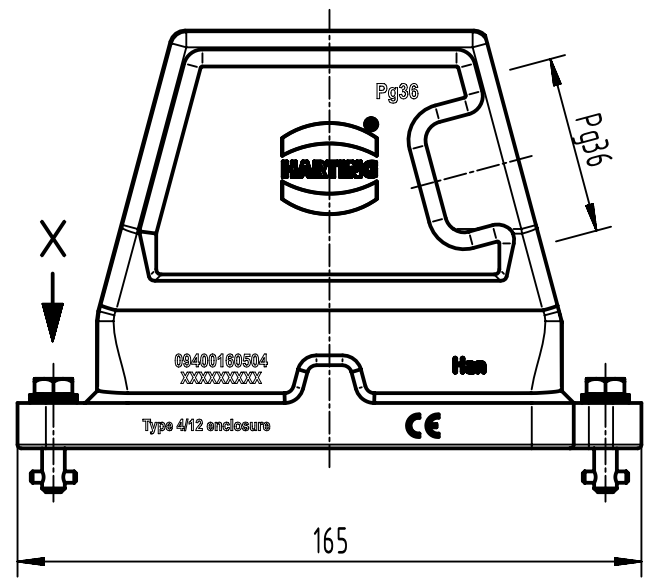
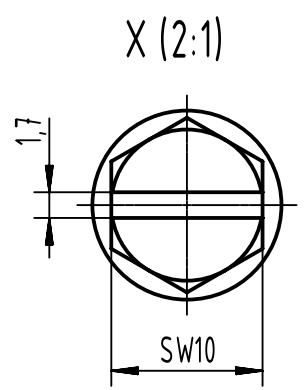
1 2 3 4 5 6

A

B

C

D



	All Dimensions in mm Original Size DIN A4		Scale 1:2	Free size tol.		Ref.
						Sub.
	All rights reserved		Created by HELLMANN	Inspected by GERB	Standardisation 302077	Date 2021-01-19
	Department EL PD					State Final Release
HARTING			Title Han 16 HPR Hood Side Entry PG 36 Toggle			Doc-Key / ECM-Nr. 100215005/UGD/004/D 500000178007
D-32339 Espelkamp			Type TB	Number 09 40 016 0504		
						Rev. D
						Page 1/1