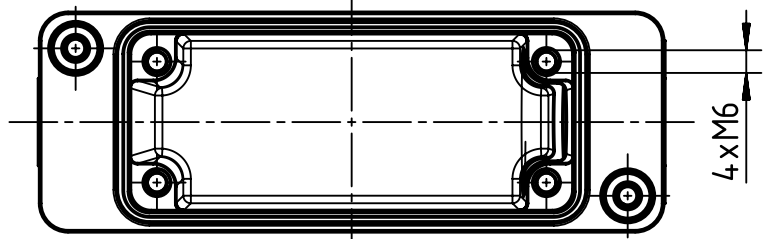
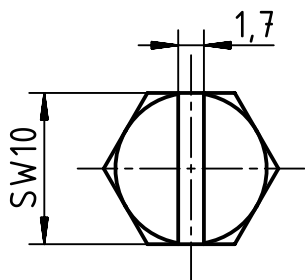
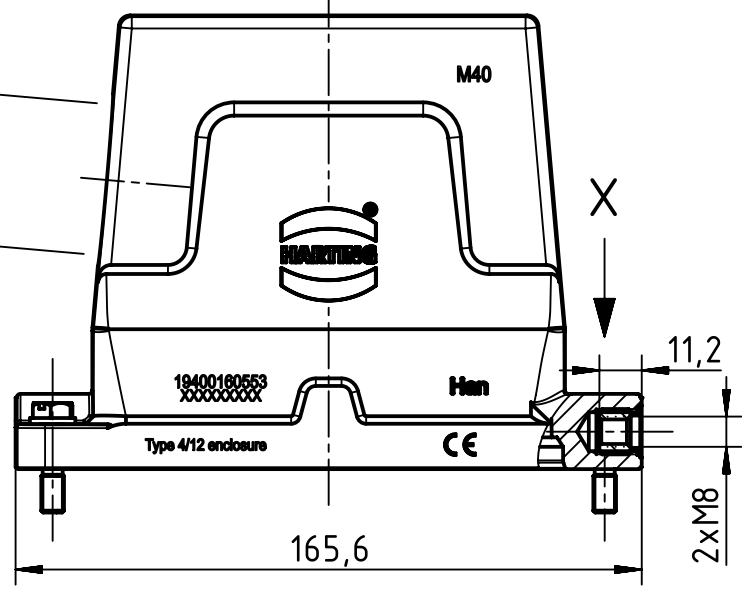


X (2:1)



4 x M6

M40x1,5

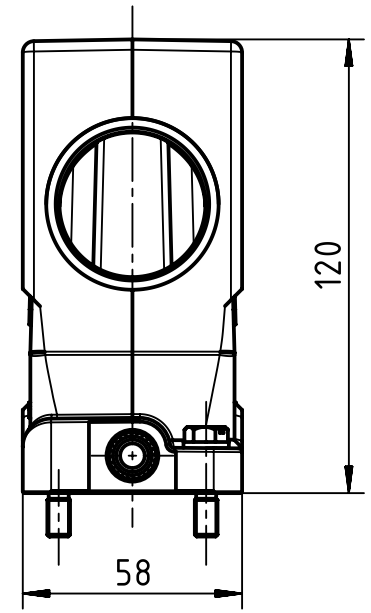


M40

165,6

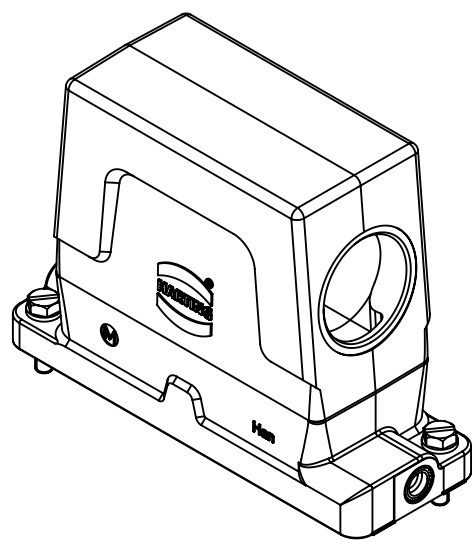
11,2

2 x M8



120

58



	All rights reserved Department EL PD HARTING Electric GmbH & Co. KG D-32339 Espelkamp	All Dimensions in mm Original Size DIN A4		Scale 1:2	Free size tol.	Ref. Sub.
		Created by LONGL	Inspected by HEW	Standardisation TIEMANNA	Date 2019-12-31	State Final Release
Title Han 16HPR enlarged-HSE-SCL-M40-FE						Rev. C
Type TB				Number 19 40 016 0553		Page 1/1