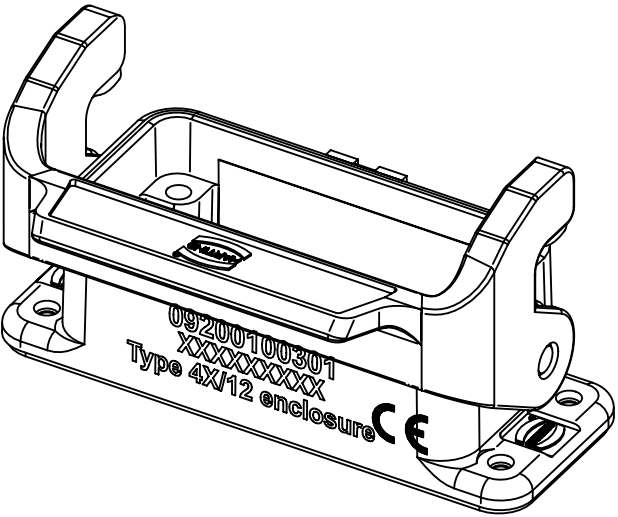


gasket enclosed separately

panel cut out



	All Dimensions in mm Original Size DIN A4		Scale 1:1	Free size tol.		Ref.	
	All rights reserved		Created by HELLMANN	Inspected by GERB	Standardisation GARSKE	Date 2020-08-28	State Final Release
Department EL PD		Title Han 10 A-agg-LB				Doc-Key / ECM-Nr. 100195720/UGD/004/C 500000178198	
HARTING Electric GmbH & Co. KG D-32339 Espelkamp		Type TB	Number 09 20 010 0301			Rev. C	Page 1/1