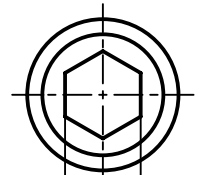
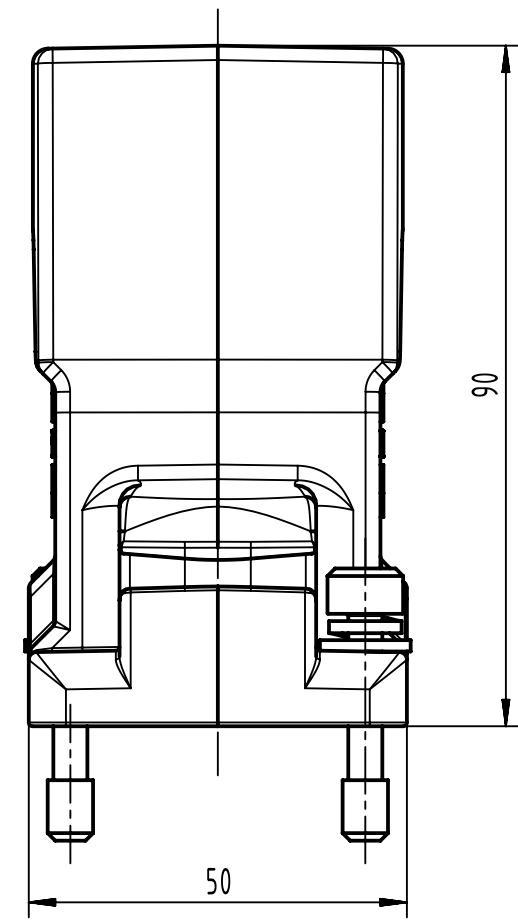
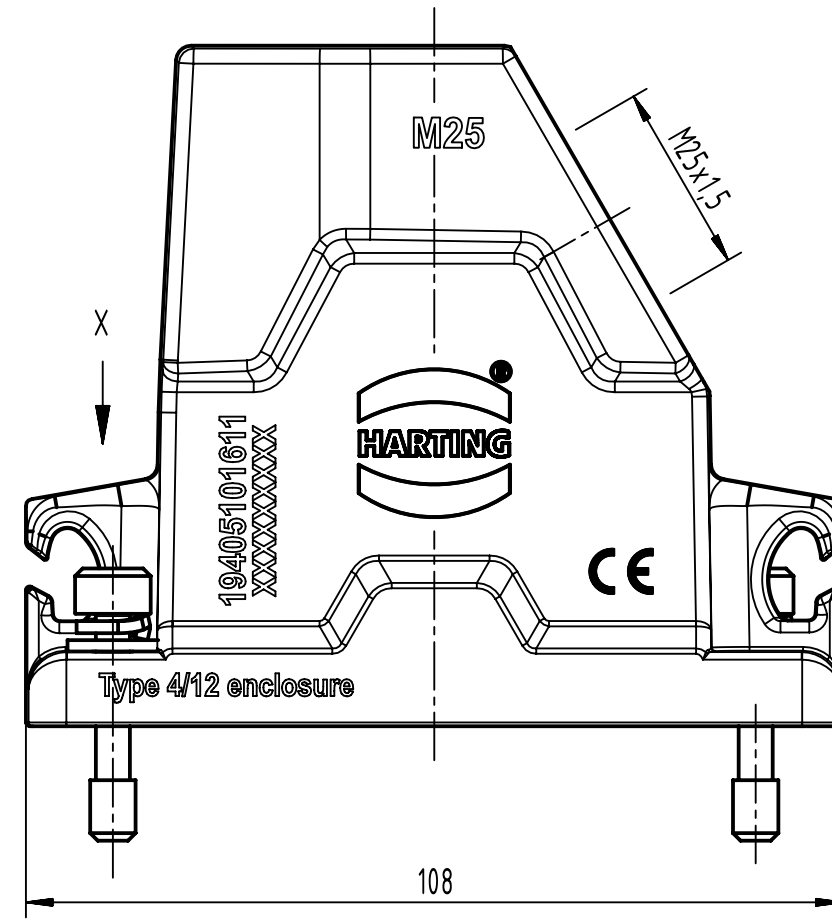
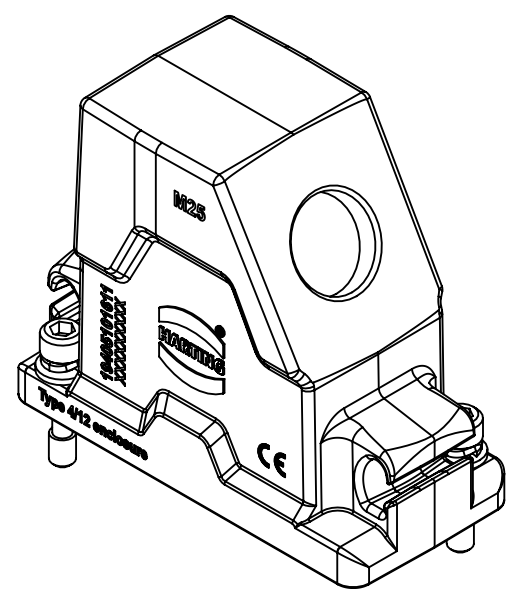


X (2:1) 2x



SW 5
tightening
torque
min. 4Nm



	All Dimensions in mm Original Size DIN A4		Scale 1:1	Free size tol.		Ref.
			Created by WENE	Inspected by LUOK	Standardisation 302077	Sub.
All rights reserved Department EL PD		Title Han 10HPR-Compact-HA-LC-SCL-M25		Date 2021-06-30		State Final Release
HARTING D-32339 Espelkamp		Type TB		Number 19 40 510 1611		Doc-Key / ECM-Nr. 100872673/UGD/001/C 500000197711
					Rev. C	Page 1/1