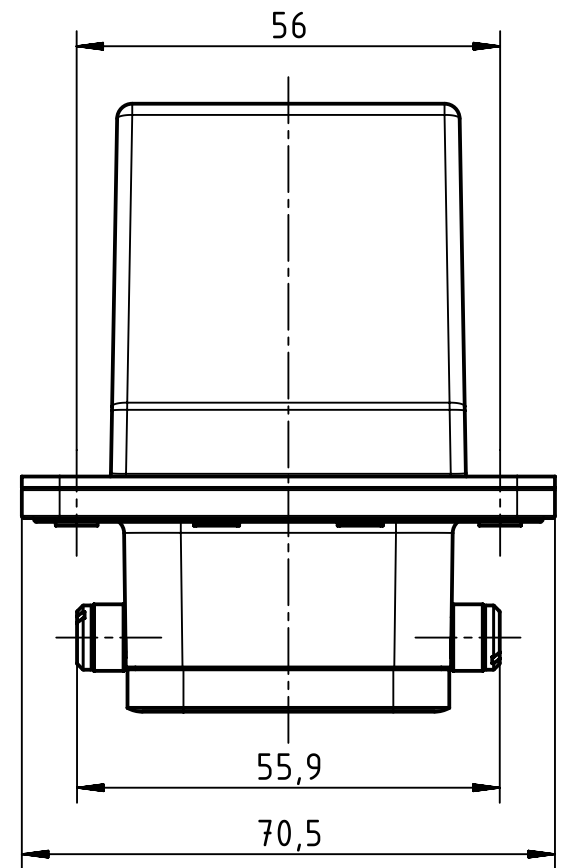
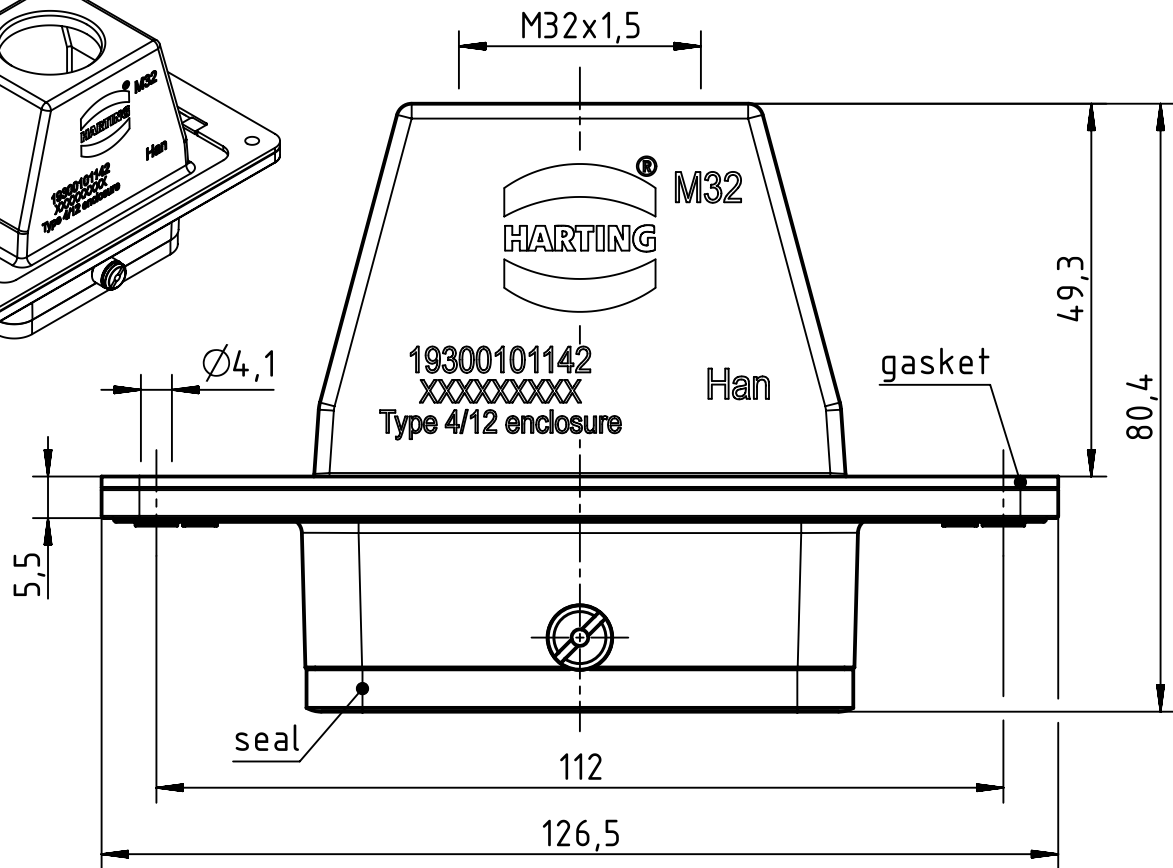
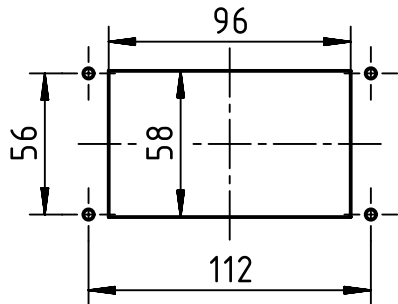


A  
B  
C  
D



panel cut out (1:3)



	All rights reserved Department EL PD	All Dimensions in mm Original Size DIN A4		Scale 1:1	Free size tol.	Ref. Sub.
		Created by LONGL	Inspected by HEW	Standardisation RUETERA	Date 2018-05-25	State Final Release
HARTING (Zhuhai) Manufacturing Co., Ltd. 519085 Zhuhai, China		Title Han 10B HTE M32 PFT CL			Doc-Key / ECM-Nr. 100722287/UGD/001/B 500000135548	
		Type TB	Number 19 30 010 1142		Rev. B	Page 1/1