

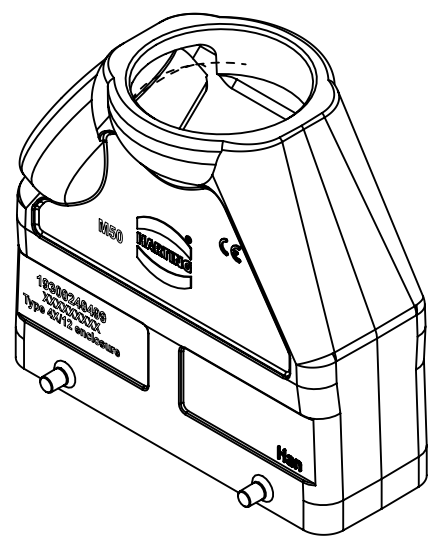
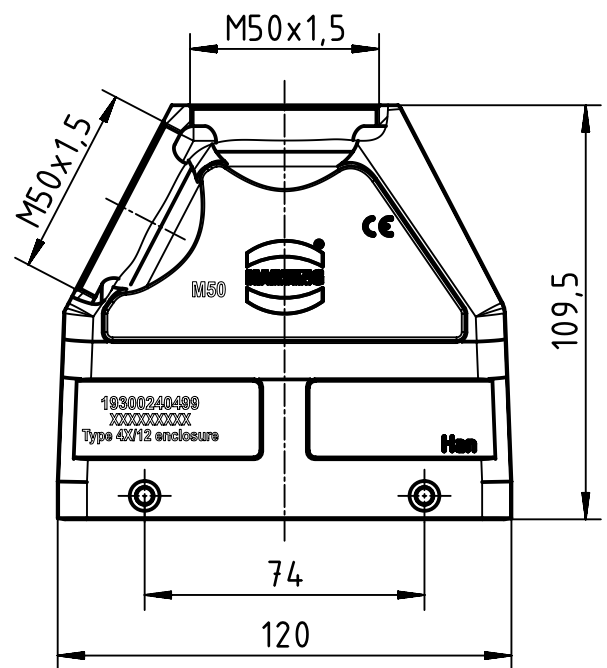
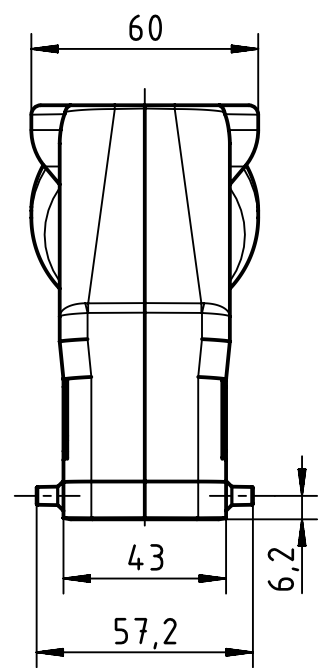
1 2 3 4 5 6

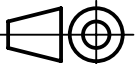

A

B

C

D



	All Dimensions in mm Original Size DIN A4		Scale 1:2	Free size tol.		Ref. Sub.		
		All rights reserved Department EL PD		Created by SPRENB	Inspected by GERB	Standardisation RUETERA	Date 2020-07-15	State Final Release
HARTING Electric GmbH & Co. KG D-32339 Espelkamp				Title Han 24B-HTE/HSE-M50		Doc-Key / ECM-Nr. 100736924/UGD/001/C 500000161737		
				Type TB	Number 19 30 024 0499		Rev. C	Page 1/1